

PRODUCT GUIDE

Network Monitor

Nemo D4
4 module housing

Nemo D6
6 module housing

Nemo D8
8 module housing

Nemo 72
72x72 mm flush mounting housing

Nemo 96
96x96 mm flush mounting housing

Nemo LD
144x72 mm flush mounting housing

Nemo IF
multifunction interface

Network Monitor



Model	Nemo D4-b		Nemo D4-L		Nemo D8	
Codes	MF6GT...	MF6FT0...	MF6FTU...	MF6FT4...	MF2AT11...	MF2AT41...
Ordering codes see page:	17	16	17	16	14	14
Connection on line	single phase, 3-phase 3/4 wires unbalanced load	single phase, 3-phase 3/4 wires unbalanced load			3-phase 3/4 wires unbalanced load	
Isolated input					•	•
Non-isolated input	•	•	•	•		
LCD Display	•	•	•	•	•	•
Voltage, current, frequency	•	•	•	•	•	•
Neutral current	•	•	•	•		
Average currents and max. values	•					
Active, reactive, apparent power		•	•	•	•	•
Phase active and reactive power		•	•	•		
Average power and max. value		•	•	•	•	•
Power factor		•	•	•	•	•
Active energy cl. 1					•	•
Active energy cl. 2		•	•	•		
Reactive energy cl. 3					•	•
Hourmeter	•	•	•	•		
Phase sequence		•	•	•		
3 alarm relays					•	
Pulse energy			•		•	•
RS485 communication				•	M	•
Analogue output					M	M
Profibus				M	M	M
Input current	1A or 5A from CT selectable primary current (table A)	1A or 5A from CT programmable ratio			1A or 5A direct or from CT programmable ratio	
Input voltage	80...600V direct (phase-phase)	50...450V direct or from VT (phase-phase) programmable ratio			50...450V direct or from VT (phase-phase) programmable ratio	
A.C. auxiliary supply	115V or 230...240V or 400V	115V or 230...240V			115V or 230V or 240V	
D.C. auxiliary supply		20...150V			20...150V or 150...250V	
Dimensions	4 module DIN	4 module DIN			8 module DIN	
Technical note	NT588	NT604			NT525	NT360
Price						
Extra price d.c. auxiliary supply		•	•	•	•	•
Extra price 1A input current	•	•	•	•	•	•

Legend: M external interface (see NEMO IF page 12)

Table A		Primary currents selectable by front keyboard												
										5A				
10A			15A		20A	25A	30A		40A	50A	60A	70A	75A	80A
100A	120A	125A	150A	160A	200A	250A	300A		400A	500A	600A	700A	750A	800A
1000A	1200A	1250A	1500A	1600A	2000A	2500A	3000A	3200A	4000A	5000A	6000A	7000A	7500A	8000A



Model	Nemo D6-I			Nemo D6-S		
	MF1BT0...	MF1BT2...	MF1BT4...	MF1CT0...	MF1CT2...	MF1CT4...
Codes						
Ordering codes see page:	13	13	13	14	14	14
Connection on line	3-phase 3/4 wire unbalanced load			3-phase 3/4 wire unbalanced load		
Isolated input	•	•	•			
Non-isolated input				•	•	•
LED Display	•	•	•	•	•	•
Voltage, current, frequency	•	•	•	•	•	•
Active, reactive, apparent power	•	•	•	•	•	•
Average power and max. value	•	•	•	•	•	•
Power factor	•	•	•	•	•	•
Active energy cl. 2	•	•	•	•	•	•
Reactive energy cl. 3	•	•	•	•	•	•
Pulse energy	•	•	•	•	•	•
RS485 communication			•			•
RS232 communication		•			•	
Profibus			M			M
Input current	5A from CT selectable primary current (table B)			5A from CT selectable primary current (table B)		
Input voltage	100...450V direct (phase-phase)			100...450V direct (phase-phase)		
A.C. auxiliary supply	115V or 230V or 240V			115V or 230V or 240V		
Dimensions	6 module DIN			6 module DIN		
Technical note	NT635			NT528		
Price						

Legend: M external interface (see NEMO IF page 12)

Table B		Primary currents selectable by front keyboard													
										5A					
					20A	25A	30A		40A	50A	60A	70A	75A	80A	
100A	120A	125A	150A		200A	250A	300A		400A	500A	600A	700A	750A	800A	
1000A	1200A	1250A	1500A	1600A	2000A	2500A	3000A	3200A	4000A	5000A	6000A	7000A	7500A	8000A	

Network Monitor



Model	Nemo 72-b		Nemo 72-L	
	MF7GM...	MF7GT...	MF7FTU...	MF7FT4...
Codes				
Ordering codes see page:	17	17	17	17
Connection on line	single-phase / 3-phase 4 wires, unbalanced load	3-phase 3/4 wires, unbalanced load	single-phase, 3-phase 3/4 wires, unbalanced load	
Non-isolated input	•	•	•	•
LCD Display	•	•	•	•
Voltage, current, frequency	•	•	•	•
Neutral current	•	•	•	•
Average currents and max. values	•	•	•	•
Active, reactive, apparent power			•	•
Phase active and reactive power			•	•
Average power and max. value			•	•
Power factor			•	•
Active energy cl. 2			•	•
Reactive energy cl. 3			•	•
Total current armonic distortion			•	•
Hourmeter	•	•	•	•
Phase sequence			•	•
Active energy pulses			•	
RS485 communication				•
Profibus				M
Input current	1A or 5A from CT selectable primary current (table A)		1A or 5A from CT programmable ratio	
Input voltage	340...450V direct (phase-phase)		80...500V direct or from VT (phase-phase) programmable ratio	
A.C. auxiliary supply	selfsupplied		115V or 230...240V	
D.C. auxiliary supply			20...150V	
Dimensions	72x72x81mm		72x72x81mm	
Technical note	NT651		NT652	
Price				
Extra price d.c. auxiliary supply			•	•
Extra price 1A input current	•	•	•	•

Legend: M external interface (see NEMO IF page 12)

Table A		Primary currents selectable by front keyboard													
										5A					
10A			15A		20A	25A	30A			40A	50A	60A	70A	75A	80A
100A	120A	125A	150A	160A	200A	250A	300A			400A	500A	600A	700A	750A	800A
1000A	1200A	1250A	1500A	1600A	2000A	2500A	3000A	3200A	4000A	5000A	6000A	7000A	7500A	8000A	



Model	Nemo 96-I		Nemo 96-S	
	MF3BT0...	MF3BT4...	MF3CT0...	MF3CT4...
Codes				
Ordering codes see page:	14	14	14	14
Connection on line	three-phase 3/4 wire unbalanced load		three-phase 3/4 wire unbalanced load	
Isolated input	•	•		
Non-isolated input			•	•
LED Display	•	•	•	•
Voltage, current, frequency	•	•	•	•
Active, reactive, apparent power	•	•	•	•
Average power and max. value	•	•	•	•
Power factor	•	•	•	•
Active energy cl. 2	•	•	•	•
Reactive energy cl. 3	•	•	•	•
Active energy pulses	•	•	•	•
RS485 communication		•		•
Profibus		M		M
Input current	5A from CT selectable primary current (table B)		5A from CT selectable primary current (table B)	
Input voltage	100...450V direct (phase-phase)		100...450V direct (phase-phase)	
A.C. auxiliary supply	115V or 230V or 240V		115V or 230V or 240V	
Dimensions	96x96x64,5mm		96x96x64,5mm	
Technical note	NT636		NT553	
Price				

Legend: M external interface (see NEMO IF page 12)

Table B		Primary currents selectable by front keyboard													
										5A					
					20A	25A	30A		40A	50A	60A	70A	75A	80A	
100A	120A	125A	150A		200A	250A	300A		400A	500A	600A	700A	750A	800A	
1000A	1200A	1250A	1500A	1600A	2000A	2500A	3000A	3200A	4000A	5000A	6000A	7000A	7500A	8000A	

Network Monitor



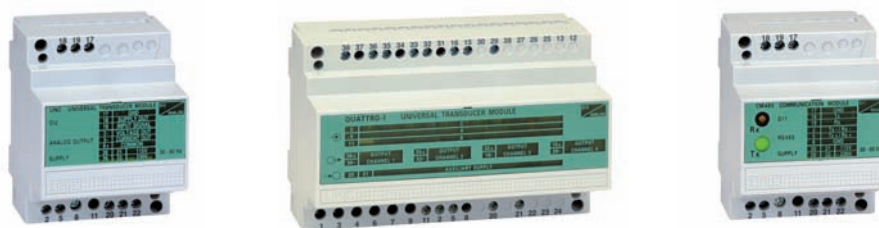
Model	Nemo 96					
Codes	MF4AT00...	MF4AT01...	MF4AT40...	MF4AT02...	MF4ATP0...	MF4ATL0...
Ordering codes see page:	15	15	15	15	16	16
Connection on line	three-phase 3/4 wire unbalanced load					
Isolated input	•	•	•	•	•	•
LCD Display	•	•	•	•	•	•
Voltage, current, frequency	•	•	•	•	•	•
Neutral current	•	•	•	•	•	•
Active, reactive, apparent power	•	•	•	•	•	•
Phase active power	•	•	•	•	•	•
Average power and max. value	•	•	•	•	•	•
Power factor	•	•	•	•	•	•
Active energy cl. 1	•	•	•	•	•	•
Reactive energy cl. 3		•	•	•	•	•
Total current armonic distortion	•	•	•	•	•	•
Total voltage armonic distortion	•	•	•	•	•	
Active energy pulses	•	•	•	•	•	•
Reactive energy pulses		•				
RS485 communication			•			
Analogue output				•		
Profibus			M		•	
LonWorks						•
Input current	1A or 5A direct or from CT programmable ratio					
Input voltage	50...450V direct or from VT (phase-phase) programmable ratio					
A.C. auxiliary supply	115V or 230V or 240V				230...240V	115V or 230...240V
D.C. auxiliary supply	20...150V or 150...250V				20...150V	20...150V or 150...250V
Dimensions	96x96x103mm					
Technical note		NT490		NT593	NT585	NT646
Price						
Extra price d.c. auxiliary supply	•	•	•	•	•	•
Extra price 1A input current	•	•	•	•	•	•

Legend: M external interface (see NEMO IF page 12)



Model	Nemo LD	
Codes	MF5AT41...	MF5AT42...
Ordering codes see page:	16	16
Connection on line	three-phase 3/4 wire unbalanced load	
Isolated input	•	•
LCD Display	•	•
Voltage, current, frequency	•	•
Active, reactive, apparent power	•	•
Average power and max. value	•	•
Power factor	•	•
Active energy cl.1	•	•
Reactive energy cl. 3	•	•
Imported and exported energy		•
Active energy pulses	•	•
RS485 communication	•	•
Analogue output	M	M
Profibus	M	M
Input current	1A or 5A direct or from CT programmable ratio	
Input voltage	50...450V direct or from VT (phase-phase) programmable ratio	
A.C. auxiliary supply	115V or 230V or 240V	
D.C. auxiliary supply	20...150V or 150...250V	
Dimensions	144x72x171mm	
Technical note	NT456	NT458
Price		
Extra price d.c. auxiliary supply	•	•
Extra price 1A input current	•	•

Legend: M external interface (see NEMO IF page 12)



Model	Nemo IF		
Codes	IFA0...	IFA2...	IFD0...
Ordering codes see page:	13	13	13
Interface type	digital / 1 analogue outputs	digital / 4 analogue outputs	RS485 communication
Input	connection to DI2 output of NEMO D8 or NEMO LD	connection to DI2 output of NEMO D8 or NEMO LD	connection to DI1 output of NEMO D8
Output	0-20mA or 4-20mA or 0-10V	0-20mA or 4-20mA (possibility to be used with configuration with common negative)	RS485 protocol JBUS/MODBUS
A.C. auxiliary supply	115V or 230V or 240V	115V or 230V or 240V	115V or 230V or 240V
D.C. auxiliary supply	20...30V or 40...60V or 88...132V	20...30V or 40...60V or 88...132V	
Dimensions	4 module DIN	8 module DIN	4 module DIN
Technical note	NT361	NT485	NT362
Price			
Extra price d.c. auxiliary supply	•	•	



Model	Nemo IF	
Codes	IFC0...	IFC1...
Ordering codes see page:	13	13
Interface type	conversion RS485-RS232 and RS232-RS485	conversion RS485-Profibus
Input	RS485 or RS232	RS485
Output	RS232 or RS485	Profibus EN 50170
A.C. auxiliary supply	115V or 230V or 240V	
D.C. auxiliary supply		20...30V
Dimensions	4 module DIN	6 module DIN
Technical note	NT439	NT592
Price		

ON REQUEST

Code	Description
SWMFI	Management software for Network Monitor with RS485 output

Nemo IF Interface for NEMO D8 or NEMO LD n.1 analogue output

Ordering code	Description	Stock
I F A 0 5 C	Aux.115/230V 0-20mA	
I F A 0 5 D	Aux.115/230V 4-20mA	•
I F A 0 5 F	Aux.115/230V 0-10V	
I F A 0 7 C	Aux.240V 0-20mA	
I F A 0 7 D	Aux.240V 4-20mA	
I F A 0 7 F	Aux.240V 0-10V	
I F A 0 R C	Aux.20-30Vdc 0-20mA	
I F A 0 R D	Aux.20-30Vdc 4-20mA	
I F A 0 R F	Aux.20-30Vdc 0-10V	
I F A 0 S C	Aux.40-60Vdc 0-20mA	
I F A 0 S D	Aux.40-60Vdc 4-20mA	
I F A 0 S F	Aux.40-60Vdc 0-10V	
I F A 0 T C	Aux.88-132Vdc 0-20mA	
I F A 0 T D	Aux.88-132Vdc 4-20mA	
I F A 0 T F	Aux.88-132Vdc 0-10V	

Nemo IF Interface for NEMO D8 or NEMO LD n.4 analogue outputs

Ordering code	Description	Stock
I F A 2 3 C	Aux.115V 0-20mA	
I F A 2 3 D	Aux.115V 4-20mA	
I F A 2 6 C	Aux.230V 0-20mA	
I F A 2 6 D	Aux.230V 4-20mA	•
I F A 2 7 C	Aux.240V 0-20mA	
I F A 2 7 D	Aux.240V 4-20mA	
I F A 2 R C	Aux.20-30Vdc 0-20mA	
I F A 2 R D	Aux.20-30Vdc 4-20mA	
I F A 2 S C	Aux.40-60Vdc 0-20mA	
I F A 2 S D	Aux.40-60Vdc 4-20mA	
I F A 2 T C	Aux.88-132Vdc 0-20mA	
I F A 2 T D	Aux.88-132Vdc 4-20mA	

Nemo IF Interface for NEMO RS485/RS232 conversion

Ordering code	Description	Stock
I F C 0 5	Aux.115/230V	•
I F C 0 7	Aux.240V	

Nemo IF Interface for NEMO RS485/PROFIBUS-DP conversion

Ordering code	Description	Stock
I F C 1 R	Aux.20-30Vdc	

Nemo IF Interface for NEMO D8 or NEMO LD RS485 communication

Ordering code	Description	Stock
I F D 0 5	Aux.115/230V	•
I F D 0 7	Aux.240V	

Nemo D6-I 6 Module network monitor, red LED display, isolated

Ordering code	Description	Stock
M F 1 B T 0 0 0 5 3	Aux.115V 5A 450V	
M F 1 B T 0 0 0 5 6	Aux.230V 5A 450V	•
M F 1 B T 0 0 0 5 7	Aux.240V 5A 450V	

Nemo D6-I 6 Module network monitor, red LED display, isolated, RS232 communication

Ordering code	Description	Stock
M F 1 B T 2 0 0 5 3	Aux.115V 5A 450V	
M F 1 B T 2 0 0 5 6	Aux.230V 5A 450V	
M F 1 B T 2 0 0 5 7	Aux.240V 5A 450V	

Nemo D6-I 6 Module network monitor, red LED display, isolated, RS485 communication

Ordering code	Description	Stock
M F 1 B T 4 0 0 5 3	Aux.115V 5A 450V	
M F 1 B T 4 0 0 5 6	Aux.230V 5A 450V	•
M F 1 B T 4 0 0 5 7	Aux.240V 5A 450V	

Nemo D6-S 6 Module network monitor, red LED display, non-isolated

Ordering code	Description	Stock
MF 1 C T 0 0 0 5 3	Aux.115V 5A 450V	
MF 1 C T 0 0 0 5 6	Aux.230V 5A 450V	•
MF 1 C T 0 0 0 5 7	Aux.240V 5A 450V	

Nemo D6-S 6 Module network monitor, red LED display, non-isolated, RS232 communication

Ordering code	Description	Stock
MF 1 C T 2 0 0 5 3	Aux.115V 5A 450V	
MF 1 C T 2 0 0 5 6	Aux.230V 5A 450V	
MF 1 C T 2 0 0 5 7	Aux.240V 5A 450V	

Nemo D6-S 6 Module network monitor, red LED display, non-isolated, RS485 communication

Ordering code	Description	Stock
MF 1 C T 4 0 0 5 3	Aux.115V 5A 450V	
MF 1 C T 4 0 0 5 6	Aux.230V 5A 450V	•
MF 1 C T 4 0 0 5 7	Aux.240V 5A 450V	

Nemo D8 8 Module network monitor, LCD display, isolated, 3 alarms

Ordering code	Description	Stock
MF 2 A T 1 1 1 1 3	Aux.115V 1A 450V	
MF 2 A T 1 1 1 1 6	Aux.230V 1A 450V	
MF 2 A T 1 1 1 1 7	Aux.240V 1A 450V	
MF 2 A T 1 1 1 1 H	Aux.20-150Vdc 1A 450V	
MF 2 A T 1 1 1 1 L	Aux.150-250Vdc 1A 450V	
MF 2 A T 1 1 1 2 3	Aux.115V 5A 450V	
MF 2 A T 1 1 1 2 6	Aux.230V 5A 450V	•
MF 2 A T 1 1 1 2 7	Aux.240V 5A 450V	
MF 2 A T 1 1 1 2 H	Aux.20-150Vdc 5A 450V	
MF 2 A T 1 1 1 2 L	Aux.150-250Vdc 5A 450V	

Nemo D8 8 Module network monitor, LCD display, isolated, RS485 communication

Ordering code	Description	Stock
MF 2 A T 4 1 1 1 3	Aux.115V 1A 450V	
MF 2 A T 4 1 1 1 6	Aux.230V 1A 450V	
MF 2 A T 4 1 1 1 7	Aux.240V 1A 450V	
MF 2 A T 4 1 1 1 H	Aux.20-150Vdc 1A 450V	
MF 2 A T 4 1 1 1 L	Aux.150-250Vdc 1A 450V	
MF 2 A T 4 1 1 2 3	Aux.115V 5A 450V	
MF 2 A T 4 1 1 2 6	Aux.230V 5A 450V	•
MF 2 A T 4 1 1 2 7	Aux.240V 5A 450V	
MF 2 A T 4 1 1 2 H	Aux.20-150Vdc 5A 450V	•
MF 2 A T 4 1 1 2 L	Aux.150-250Vdc 5A 450V	

Nemo 96-I 96x96mm network monitor, red LED display, isolated

Ordering code	Description	Stock
MF 3 B T 0 0 0 5 3	Aux.115V 5A 450V	
MF 3 B T 0 0 0 5 6	Aux.230V 5A 450V	•
MF 3 B T 0 0 0 5 7	Aux.240V 5A 450V	

Nemo 96-I 96x96mm network monitor, red LED display, isolated, RS485 communication

Ordering code	Description	Stock
MF 3 B T 4 0 0 5 3	Aux.115V 5A 450V	
MF 3 B T 4 0 0 5 6	Aux.230V 5A 450V	•
MF 3 B T 4 0 0 5 7	Aux.240V 5A 450V	

Nemo 96-S 96x96mm network monitor, red LED display, non-isolated

Ordering code	Description	Stock
MF 3 C T 0 0 0 5 3	Aux.115V 5A 450V	
MF 3 C T 0 0 0 5 6	Aux.230V 5A 450V	•
MF 3 C T 0 0 0 5 7	Aux.240V 5A 450V	

Nemo 96-S 96x96mm network monitor, red LED display, non-isolated, RS485 communication

Ordering code	Description	Stock
MF 3 C T 4 0 0 5 3	Aux.115V 5A 450V	
MF 3 C T 4 0 0 5 6	Aux.230V 5A 450V	•
MF 3 C T 4 0 0 5 7	Aux.240V 5A 450V	

Nemo 96 96x96mm network monitor, LCD display, isolated

Ordering code	Description	Stock
MF 4 A T 0 0 0 1 3	Aux.115V 1A 450V	
MF 4 A T 0 0 0 1 6	Aux.230V 1A 450V	
MF 4 A T 0 0 0 1 7	Aux.240V 1A 450V	
MF 4 A T 0 0 0 1 H	Aux.20-150Vdc 1A 450V	
MF 4 A T 0 0 0 1 L	Aux.150-250Vdc 1A 450V	
MF 4 A T 0 0 0 2 3	Aux.115V 5A 450V	
MF 4 A T 0 0 0 2 6	Aux.230V 5A 450V	•
MF 4 A T 0 0 0 2 7	Aux.240V 5A 450V	
MF 4 A T 0 0 0 2 H	Aux.20-150Vdc 5A 450V	
MF 4 A T 0 0 0 2 L	Aux.150-250Vdc 5A 450V	

Nemo 96 96x96mm network monitor, LCD display, isolated, 2 pulse outputs (Wh-varh)

Ordering code	Description	Stock
MF 4 A T 0 1 0 1 3	Aux.115V 1A 450V	
MF 4 A T 0 1 0 1 6	Aux.230V 1A 450V	
MF 4 A T 0 1 0 1 7	Aux.240V 1A 450V	
MF 4 A T 0 1 0 1 H	Aux.20-150Vdc 1A 450V	
MF 4 A T 0 1 0 1 L	Aux.150-250Vdc 1A 450V	
MF 4 A T 0 1 0 2 3	Aux.115V 5A 450V	
MF 4 A T 0 1 0 2 6	Aux.230V 5A 450V	•
MF 4 A T 0 1 0 2 7	Aux.240V 5A 450V	
MF 4 A T 0 1 0 2 H	Aux.0-150Vdc 5A 450V	
MF 4 A T 0 1 0 2 L	Aux.150-250Vdc 5A 450V	

Nemo 96 96x96mm network monitor, LCD display, isolated, 1 analogue output

Ordering code	Description	Stock
MF 4 A T 0 2 4 1 3	Aux.115V 1A 450V Output 4-20mA	
MF 4 A T 0 2 4 1 6	Aux.230V 1A 450V Output 4-20mA	
MF 4 A T 0 2 4 1 7	Aux.240V 1A 450V Output 4-20mA	
MF 4 A T 0 2 4 1 H	Aux.20-150Vdc 1A 450V Output 4-20mA	
MF 4 A T 0 2 4 1 L	Aux.150-250Vdc 1A 450V Output 4-20mA	
MF 4 A T 0 2 4 2 3	Aux.115V 5A 450V Output 4-20mA	
MF 4 A T 0 2 4 2 6	Aux.230V 5A 450V Output 4-20mA	
MF 4 A T 0 2 4 2 7	Aux.240V 5A 450V Output 4-20mA	
MF 4 A T 0 2 4 2 H	Aux.20-150Vdc 5A 450V Output 4-20mA	
MF 4 A T 0 2 4 2 L	Aux.150-250Vdc 5A 450V Output 4-20mA	

Other executions

MF 4 A T 0 2	analogue output
5	←	0-20mA
6	←	1-5V
7	←	0-10V
8	←	20-0-20mA
9	←	10-0-10V

Nemo 96 96x96mm network monitor, LCD display, isolated RS485 communication

Ordering code	Description	Stock
MF 4 A T 4 0 0 1 3	Aux.115V 1A 450V	
MF 4 A T 4 0 0 1 6	Aux.230V 1A 450V	
MF 4 A T 4 0 0 1 7	Aux.240V 1A 450V	
MF 4 A T 4 0 0 1 H	Aux.20-150Vdc 1A 450V	
MF 4 A T 4 0 0 1 L	Aux.150-250Vdc 1A 450V	
MF 4 A T 4 0 0 2 3	Aux.115V 5A 450V	
MF 4 A T 4 0 0 2 6	Aux.230V 5A 450V	•
MF 4 A T 4 0 0 2 7	Aux.240V 5A 450V	
MF 4 A T 4 0 0 2 H	Aux.20-150Vdc 5A 450V	•
MF 4 A T 4 0 0 2 L	Aux.150-250Vdc 5A 450V	

Nemo 96 96x96mm network monitor, LCD display, isolated, LONWORKS

Ordering code	Description	Stock
MF 4 A T L 0 0 1 3	Aux.115V 1A 450V	
MF 4 A T L 0 0 1 6	Aux.230-240V 1A 450V	
MF 4 A T L 0 0 1 H	Aux.20-150Vdc 1A 450V	
MF 4 A T L 0 0 1 L	Aux.150-250Vdc 1A 450V	
MF 4 A T L 0 0 2 3	Aux.115V 5A 450V	
MF 4 A T L 0 0 2 6	Aux.230-240V 5A 450V	
MF 4 A T L 0 0 2 H	Aux.20-150Vdc 5A 450V	
MF 4 A T L 0 0 2 L	Aux.150-250Vdc 5A 450V	

Nemo 96 96x96mm network monitor, LCD display, isolated, PROFIBUS-DP

Ordering code	Description	Stock
MF 4 A T P 0 0 1 6	Aux.230V 1A 450V	
MF 4 A T P 0 0 1 R	Aux.20-150Vdc 1A 450V	
MF 4 A T P 0 0 2 6	Aux.230V 5A 450V	•
MF 4 A T P 0 0 2 R	Aux.20-150Vdc 5A 450V	•

Nemo LD 144X72mm network monitor, LCD display, isolated, RS485 communication

Ordering code	Description	Stock
MF 5 A T 4 1 1 1 3	Aux.115V 1A 450V	
MF 5 A T 4 1 1 1 6	Aux.230V 1A 450V	
MF 5 A T 4 1 1 1 7	Aux.240V 1A 450V	
MF 5 A T 4 1 1 1 H	Aux.20-150Vdc 1A 450V	
MF 5 A T 4 1 1 1 L	Aux.150-250Vdc 1A 450V	
MF 5 A T 4 1 1 2 3	Aux.115V 5A 450V	
MF 5 A T 4 1 1 2 6	Aux.230V 5A 450V	•
MF 5 A T 4 1 1 2 7	Aux.240V 5A 450V	
MF 5 A T 4 1 1 2 H	Aux.20-150Vdc 5A 450V	•
MF 5 A T 4 1 1 2 L	Aux.150-250Vdc 5A 450V	

Nemo LD 144X72mm network monitor, LCD display, isolated, RS485 communication, negative and positive energies

Ordering code	Description	Stock
MF 5 A T 4 2 1 1 3	Aux.115V 1A 450V	
MF 5 A T 4 2 1 1 6	Aux.230V 1A 450V	
MF 5 A T 4 2 1 1 7	Aux.240V 1A 450V	
MF 5 A T 4 2 1 1 H	Aux.20-150Vdc 1A 450V	
MF 5 A T 4 2 1 1 L	Aux.150-250Vdc 1A 450V	
MF 5 A T 4 2 1 2 3	Aux.115V 5A 450V	
MF 5 A T 4 2 1 2 6	Aux.230V 5A 450V	
MF 5 A T 4 2 1 2 7	Aux.240V 5A 450V	
MF 5 A T 4 2 1 2 H	Aux.20-150Vdc 5A 450V	
MF 5 A T 4 2 1 2 L	Aux.150-250Vdc 5A 450V	

Nemo D4-L 4 module network monitor, LCD display, non-isolated

Ordering code	Description	Stock
MF 6 F T 0 0 0 1 3	Aux.115V 1A 450V	
MF 6 F T 0 0 0 1 6	Aux.230-240V 1A 450V	
MF 6 F T 0 0 0 1 H	Aux.20-150Vdc 1A 450V	
MF 6 F T 0 0 0 2 3	Aux.115V 5A 450V	
MF 6 F T 0 0 0 2 6	Aux.230-240V 5A 450V	•
MF 6 F T 0 0 0 2 H	Aux.20-150Vdc 5A 450V	

Nemo D4-L 4 module network monitor, LCD display, non-isolated, RS485 communication

Ordering code	Description	Stock
MF 6 F T 4 0 0 1 3	Aux.115V 1A 450V	
MF 6 F T 4 0 0 1 6	Aux.230-240V 1A 450V	
MF 6 F T 4 0 0 1 H	Aux.20-150Vdc 1A 450V	
MF 6 F T 4 0 0 2 3	Aux.115V 5A 450V	
MF 6 F T 4 0 0 2 6	Aux.230-240V 5A 450V	•
MF 6 F T 4 0 0 2 H	Aux.20-150Vdc 5A 450V	

Nemo D4-L 4 module network monitor, LCD display, non-isolated, pulse output (Wh)

Ordering code	Description	Stock
MF 6 FTU 00 1 3	Aux.115V 1A 450V	
MF 6 FTU 00 1 6	Aux.230-240V 1A 450V	
MF 6 FTU 00 1 H	Aux.20-150Vdc 1A 450V	
MF 6 FTU 00 2 3	Aux.115V 5A 450V	
MF 6 FTU 00 2 6	Aux.230-240V 5A 450V	
MF 6 FTU 00 2 H	Aux.20-150Vdc 5A 450V	

Nemo D4-b 4 module network monitor, LCD display, non-isolated, without power measuring and energy counting

Ordering code	Description	Stock
MF 6 GT 000 6 3	Aux.115V 1A 600V	
MF 6 GT 000 6 6	Aux.230-240V 1A 600V	
MF 6 GT 000 6 9	Aux.400V 1A 600V	
MF 6 GT 000 7 3	Aux.115V 5A 600V	
MF 6 GT 000 7 6	Aux.230-240V 5A 600V	•
MF 6 GT 000 7 9	Aux.400V 5A 600V	

Nemo 72-L 72X72mm network monitor, LCD display, non-isolated, RS485 communication

Ordering code	Description	Stock
MF 7 FT 400 3 3	Aux.115V 1A 500V	
MF 7 FT 400 3 6	Aux.230-240V 1A 500V	
MF 7 FT 400 3 H	Aux.20-150Vdc 1A 500V	
MF 7 FT 400 4 3	Aux.115V 5A 500V	
MF 7 FT 400 4 6	Aux.230-240V 5A 500V	•
MF 7 FT 400 4 H	Aux.20-150Vdc 5A 500V	

Nemo 72-L 72x72mm network monitor, LCD display, non-isolated, pulse output (Wh)

Ordering code	Description	Stock
MF 7 FTU 00 3 3	Aux.115V 1A 500V	
MF 7 FTU 00 3 6	Aux.230-240V 1A 500V	
MF 7 FTU 00 3 H	Aux.20-150Vdc 1A 500V	
MF 7 FTU 00 4 3	Aux.115V 5A 500V	
MF 7 FTU 00 4 6	Aux.A230-240V 5A 500V	•
MF 7 FTU 00 4 H	Aux.20-150Vdc 5A 500V	

Nemo 72-b 72x72mm network monitor, LCD display, non-isolated, without power measuring and energy counting 4-wire single phase or three-phase line

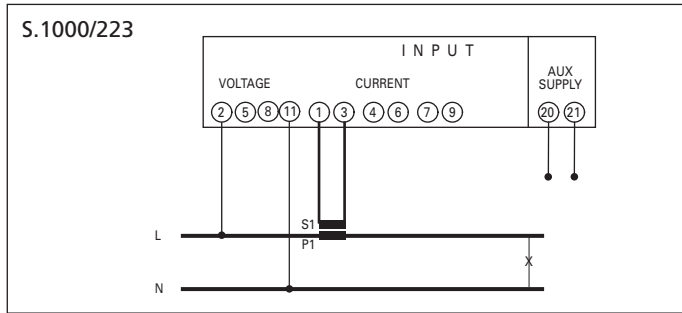
Ordering code	Description	Stock
MF 7 GM 000 8 A	1A 450V	
MF 7 GM 000 9 A	5A 450V	•

Nemo 72-b 72x72mm network monitor, lcd display, non-isolated, without power measuring and energy counting 3-4 wire three-phase line

Ordering code	Description	Stock
MF 7 GT 000 8 A	1A 450V	
MF 7 GT 000 9 A	5A 450V	•

Nemo D4-b

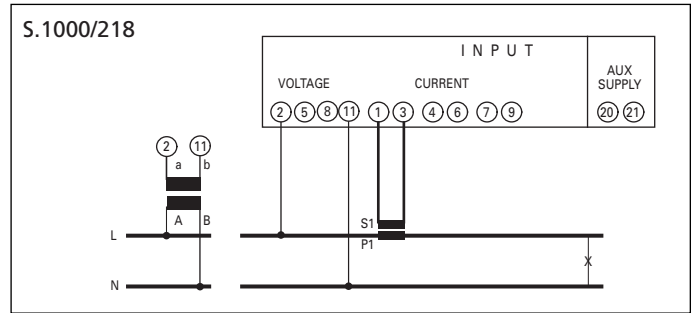
MF6GT...



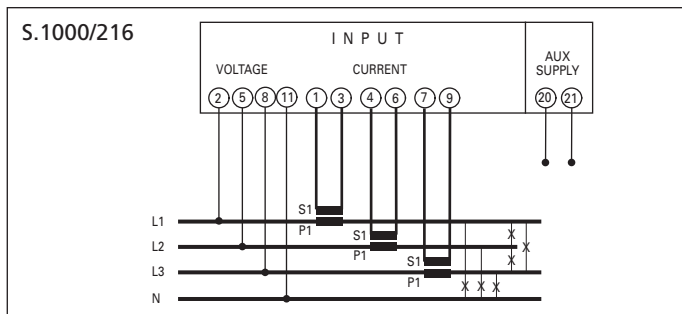
Single phase line

Nemo D4-L

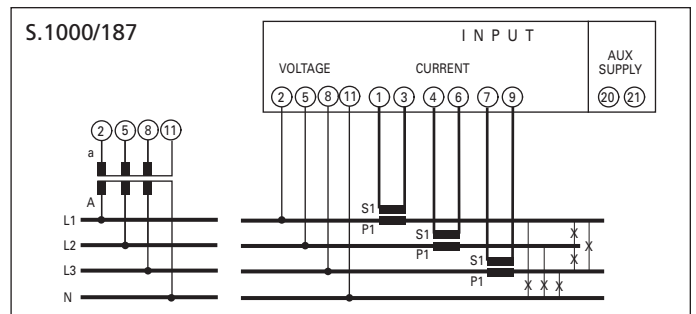
MF6T0...



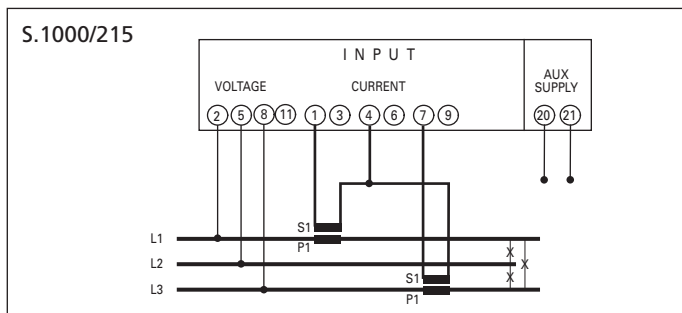
Single phase line



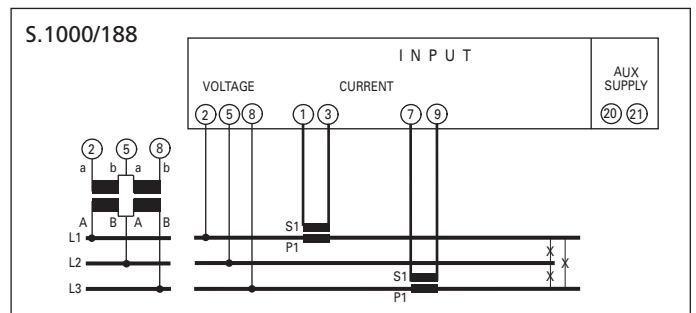
4 wire three-phase line, unbalanced load



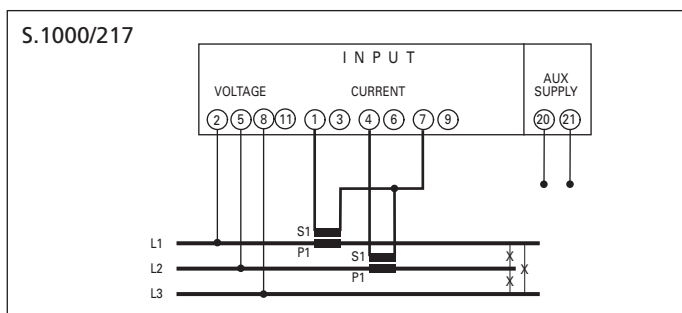
4 wire three-phase line, unbalanced load



3 wire three-phase line, unbalanced load (ARON L1-L3)



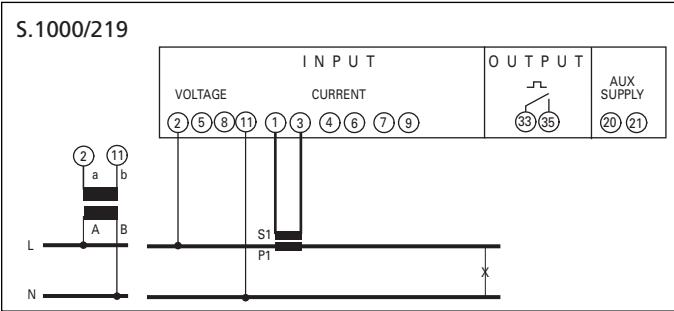
3 wire three-phase line, unbalanced load (ARON L1-L3)



3 wire three-phase line, unbalanced load (ARON L1-L2)

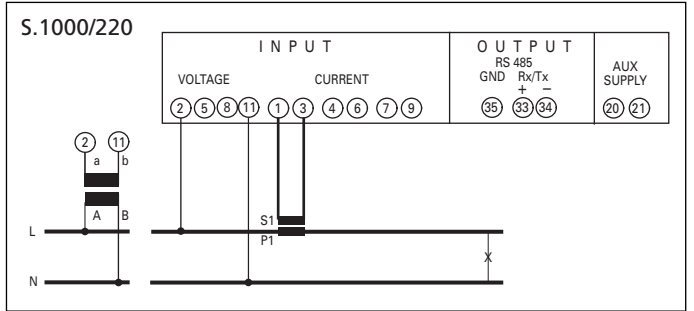
Nemo D4-L

MF6FTU...

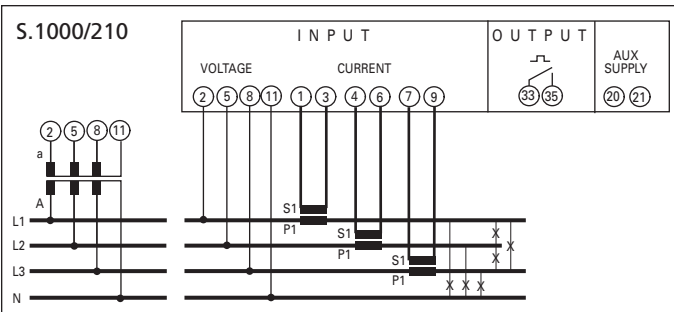


Single phase line

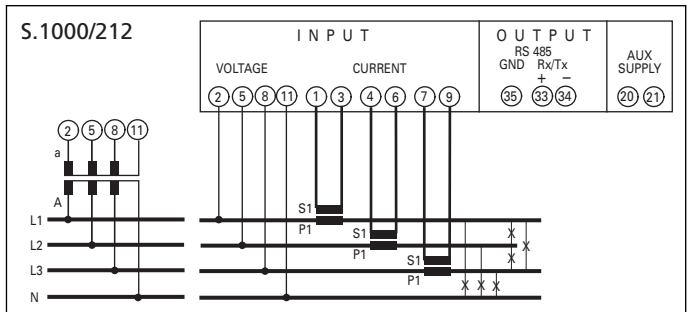
MF6FT4...



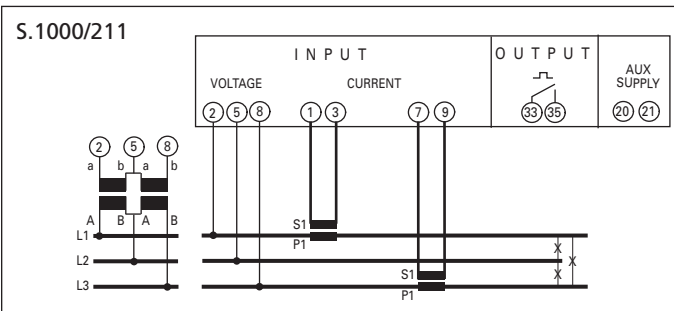
Single phase line



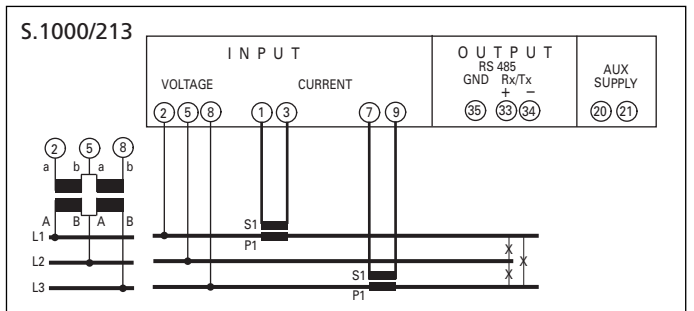
4 wire three-phase line, unbalanced load



4 wire three-phase line, unbalanced load



3 wire three-phase line, unbalanced load (ARON L1-L3)

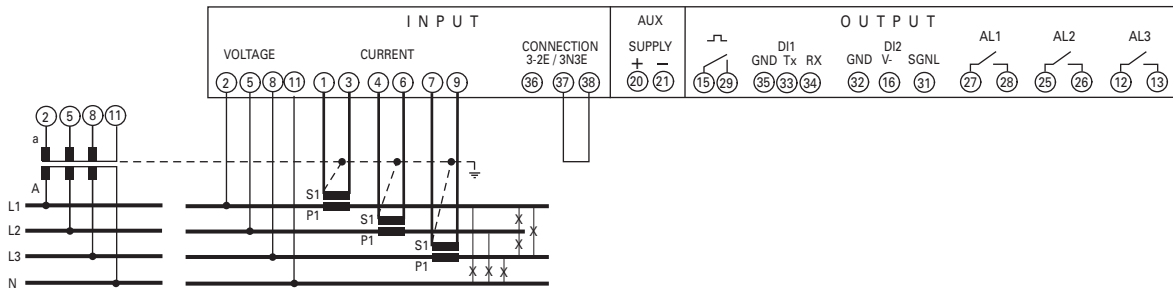


3 wire three-phase line, unbalanced load (ARON L1-L3)

Nemo D8

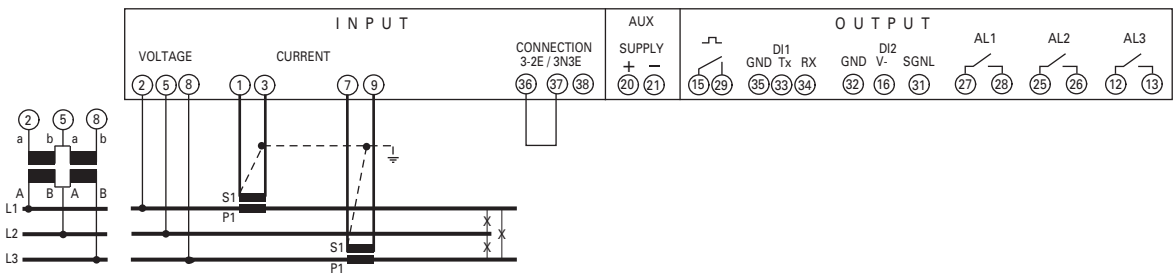
MF2AT11...

S.1000/168



4 wire three-phase line, unbalanced load

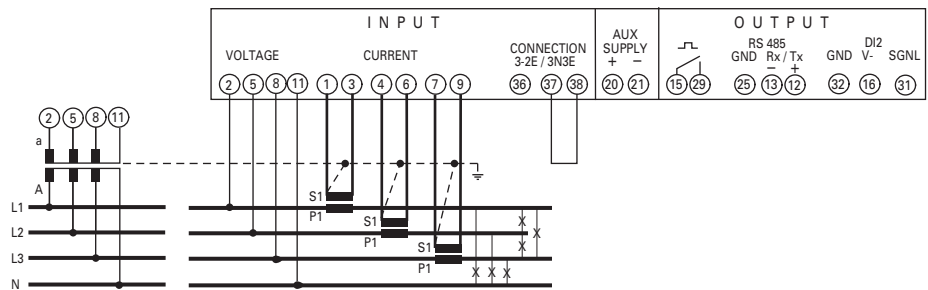
S.1000/169



3 wire three-phase line, unbalanced load (ARON L1-L3)

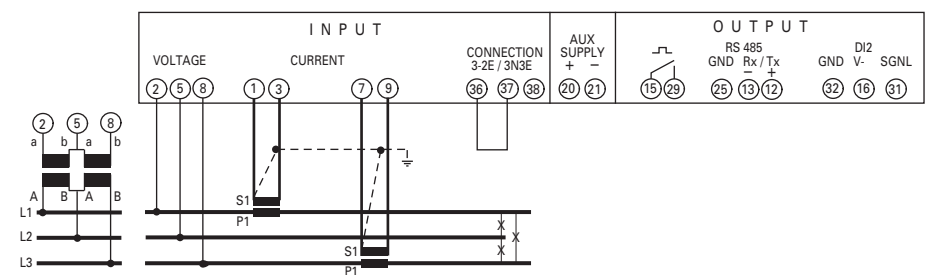
MF2AT41...

S.1000/149



4 wire three-phase line, unbalanced load

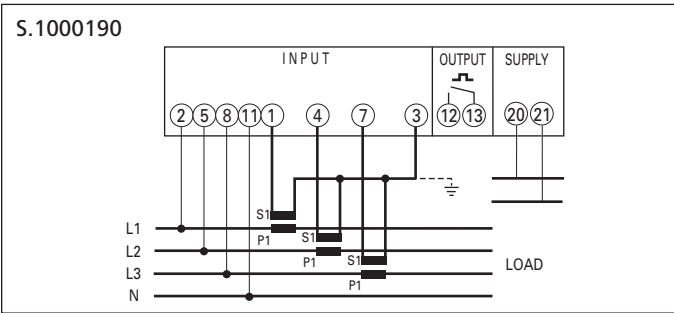
S.1000/150



3 wire three-phase line, unbalanced load (ARON L1-L3)

Nemo D6-I / Nemo 96-I

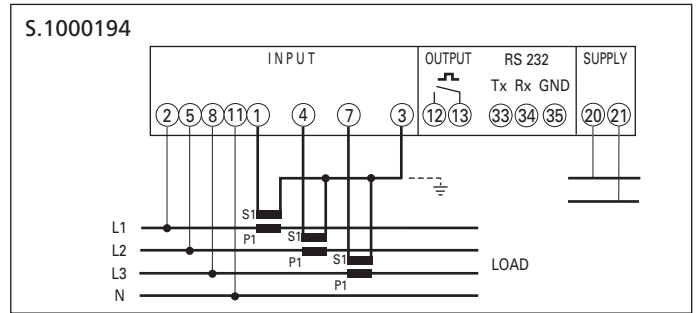
MF1BT0... / MF3BT0...



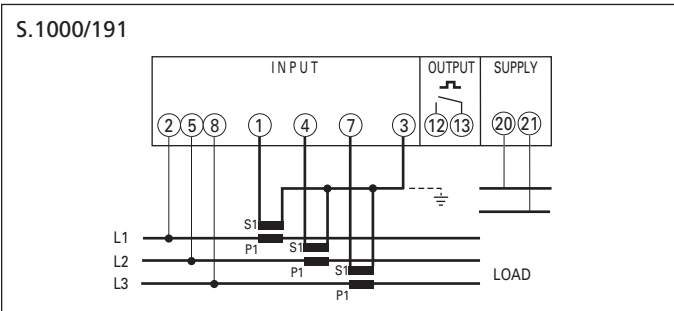
4 wire three-phase line, unbalanced load

Nemo D6-I

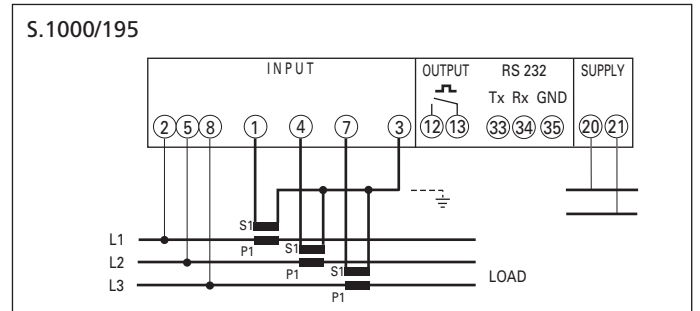
MF1BT2...



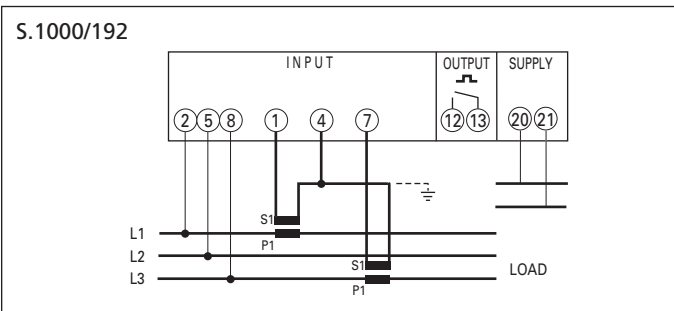
4 wire three-phase line, unbalanced load



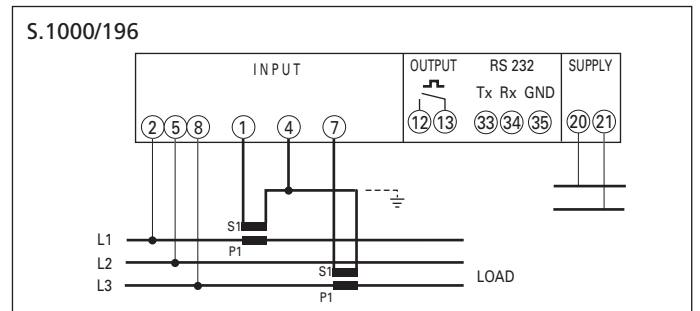
3 wire three-phase line, unbalance load



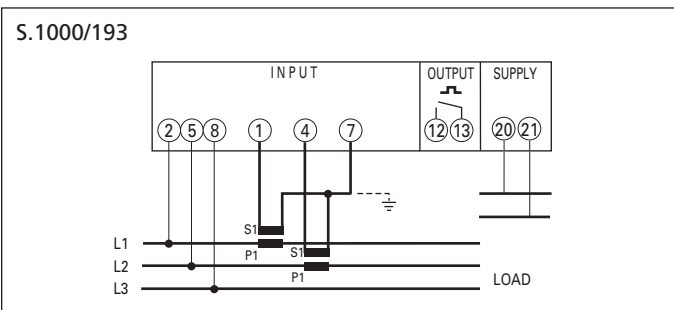
3 wire three-phase line, unbalanced load



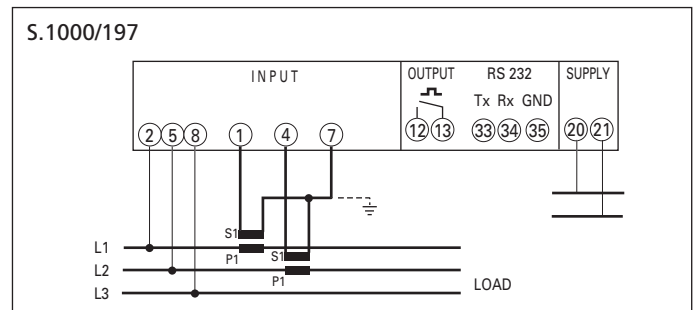
3 wire three-phase line, unbalanced load (ARON L1-L3)



3 wire three-phase line, unbalanced load (ARON L1-L3)



3 wire three-phase line, unbalanced load (ARON L1-L2)



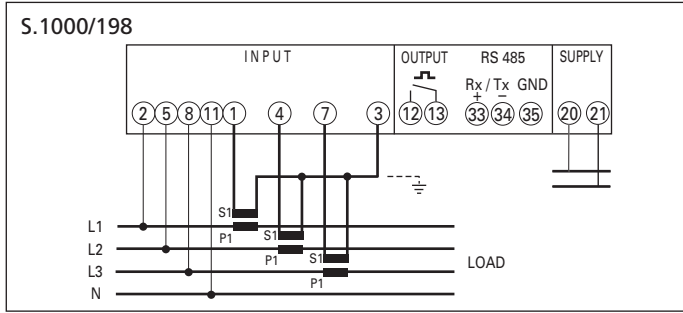
3 wire three-phase line, unbalanced load (ARON L1-L2)

Nemo D6-I / Nemo 96-I

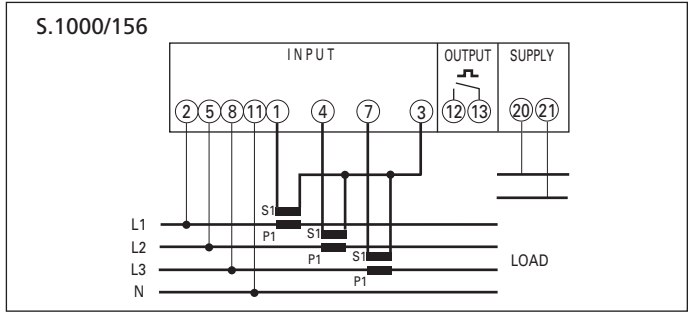
MF1BT4... / MF3BT4...

Nemo D6-S / Nemo 96-S

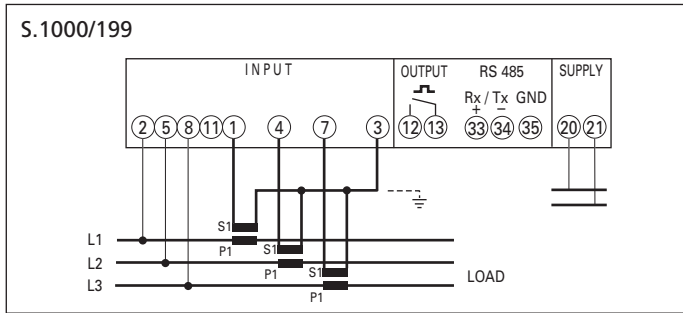
MF1CT0... / MF3CT0...



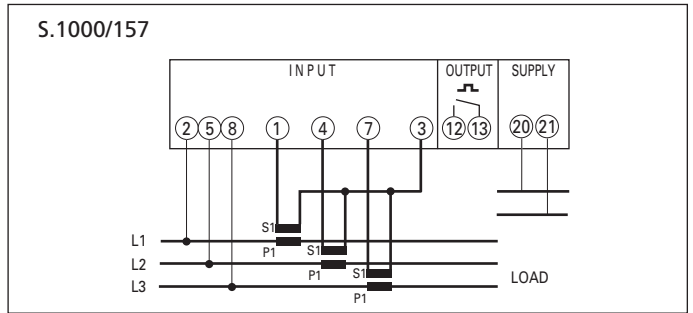
4 wire three-phase line, unbalanced load



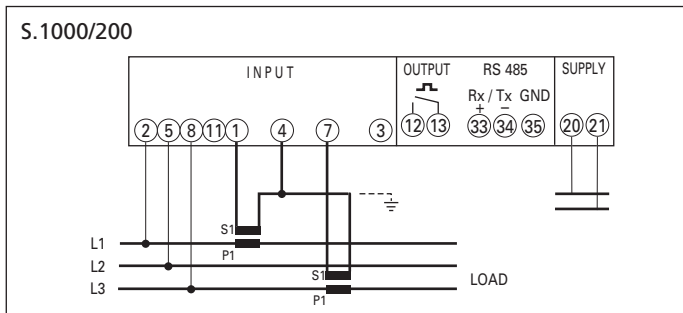
4 wire three-phase line, unbalanced load



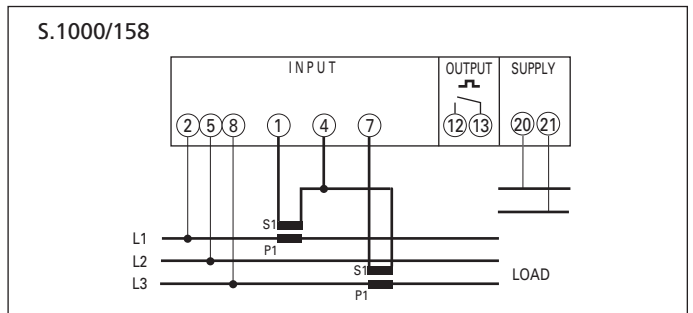
3 wire three-phase line, unbalanced load



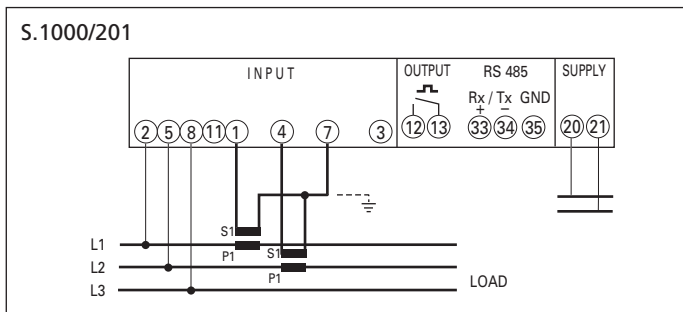
3 wire three-phase line, unbalanced load



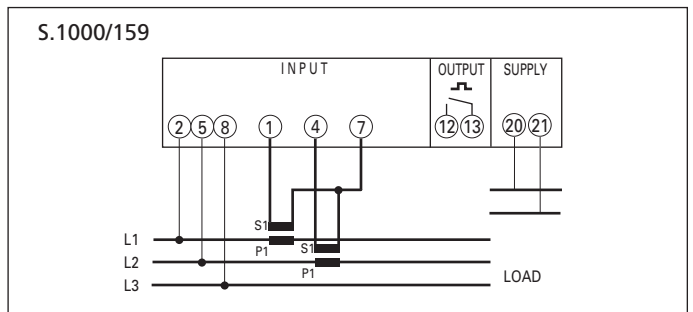
3 wire three-phase line, unbalanced load (ARON L1-L3)



3 wire three-phase line, unbalanced load (ARON L1-L3)



3 wire three-phase line, unbalanced load (ARON L1-L2)



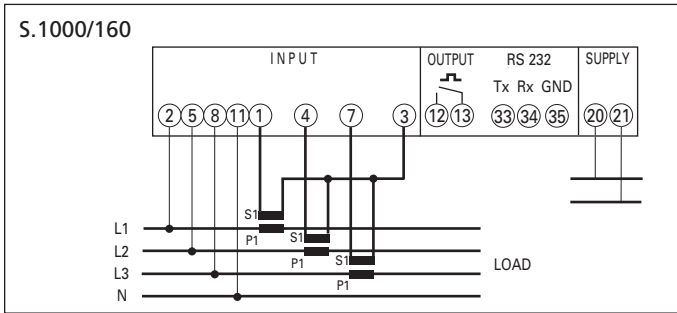
3 wire three-phase line, unbalanced load (ARON (L1-L2))

Attention!

Do not ground the current transformer secondary windings S.1000/156-157-158-159

Nemo D6-S

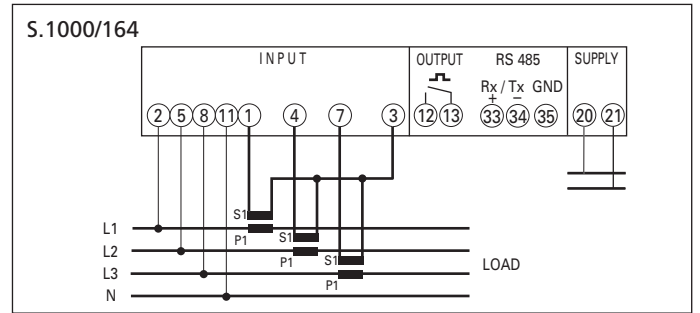
MF1CT2...



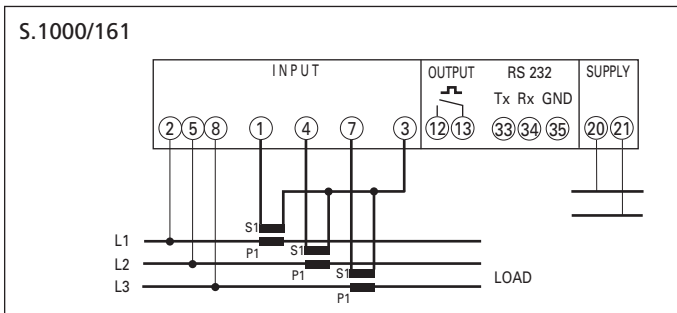
4 wire three-phase line, unbalanced load

Nemo D6-S / Nemo 96-S

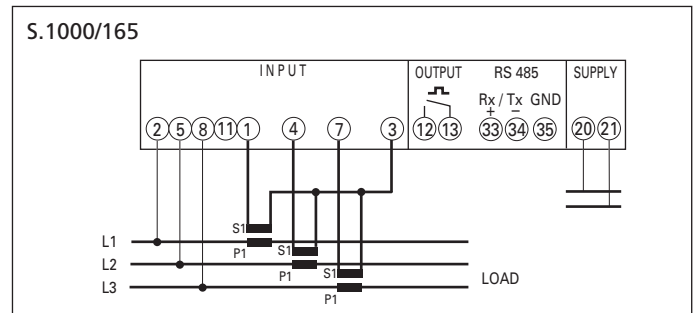
MF1CT4... / MF3CT4...



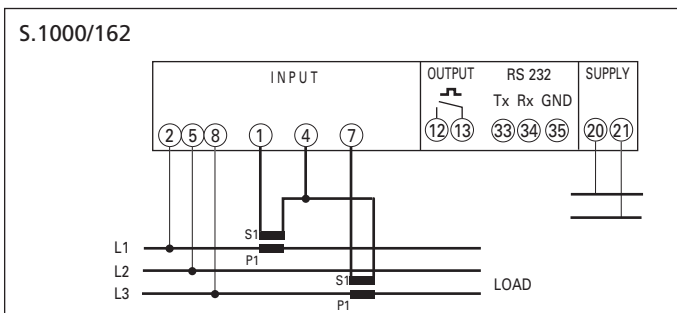
4 wire three-phase line, unbalanced load



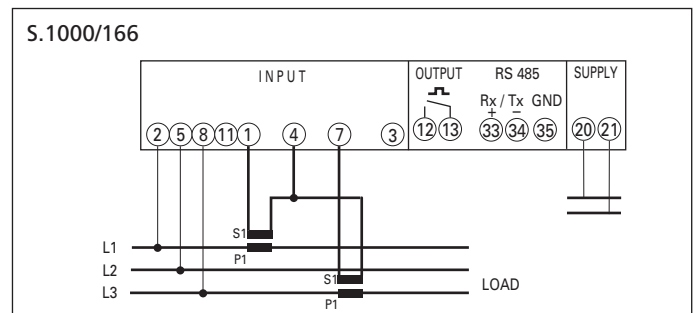
3 wire three-phase line, unbalanced load



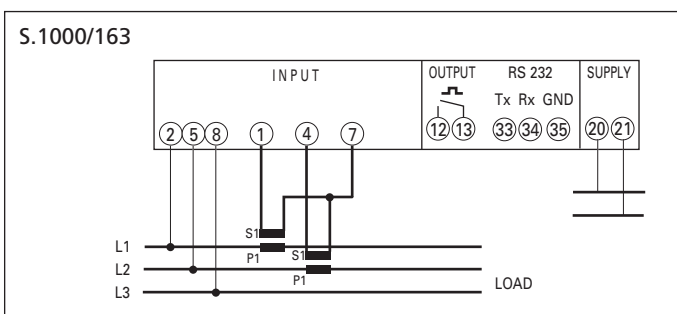
3 wire three-phase line, unbalanced load



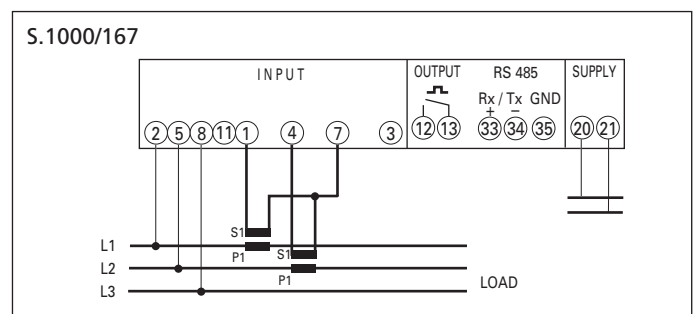
3 wire three-phase line, unbalanced load (ARON L1-L3)



3 wire three-phase line, unbalanced load (ARON L1-L3)



3 wire three-phase line, unbalanced load (ARON L1-L2)



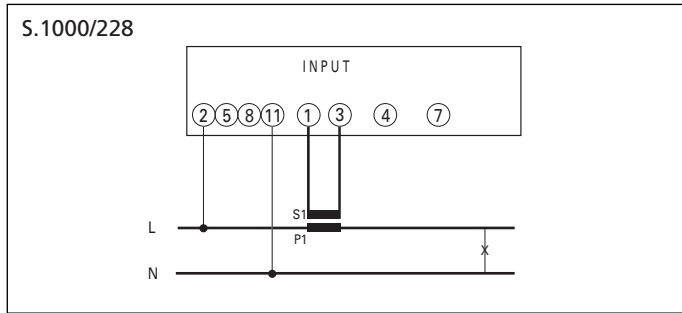
3 wire three-phase line, unbalanced load (ARON L1-L2)

Attention!

Do not ground the current transformer secondary windings

Nemo 72-b

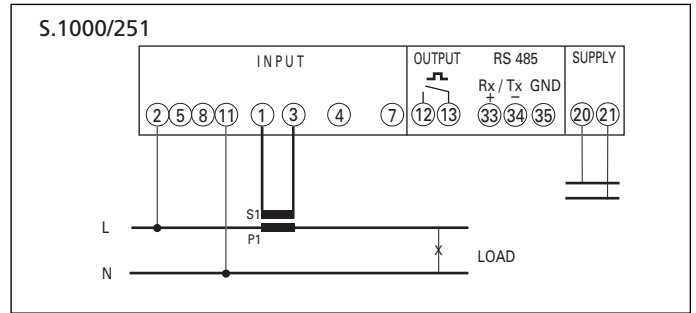
MF7GM... / MF7GT...



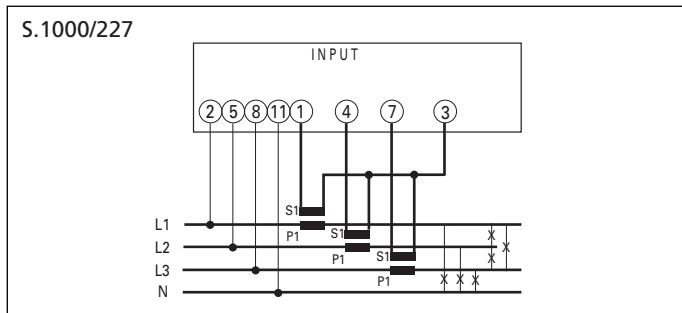
Single phase line

Nemo 72-L

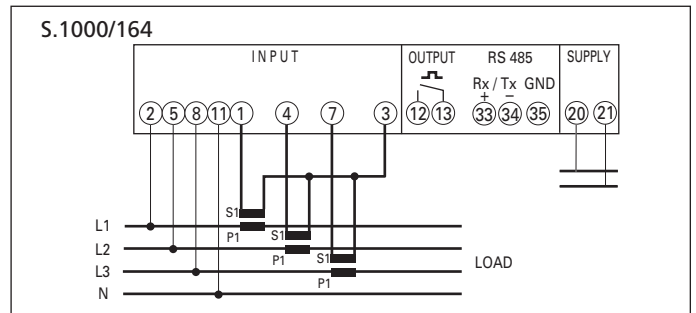
MF7FTU... / MF7FT4...



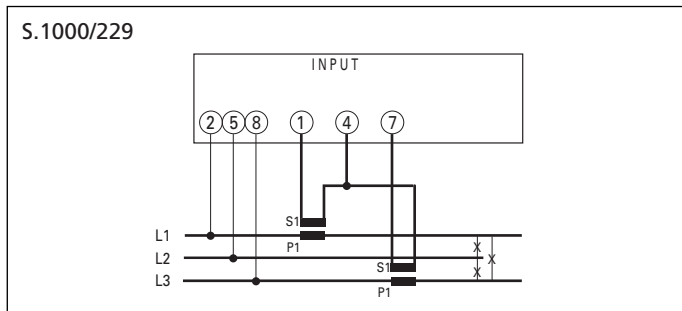
Single phase line



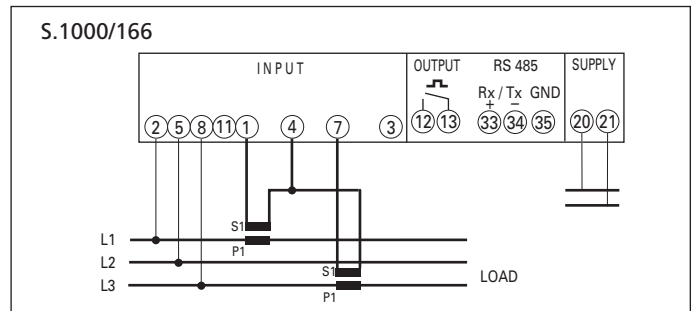
4 wire three-phase line, unbalanced load



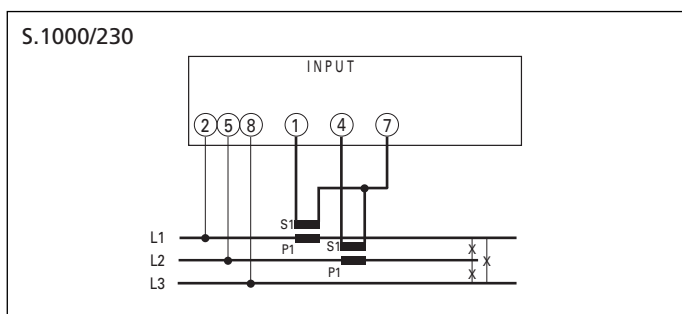
4 wire three-phase line, unbalanced load



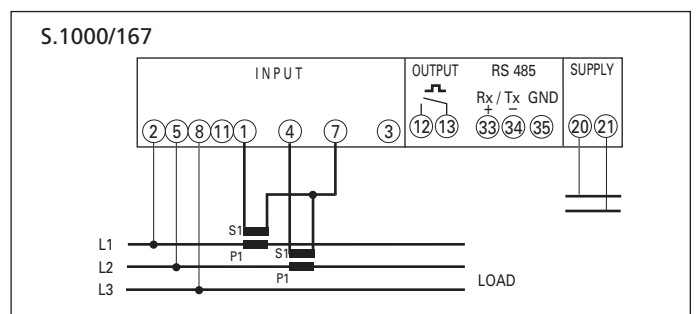
3 wire three-phase line, unbalanced load (ARON L1-L3)



3 wire three-phase line, unbalanced load (ARON L1-L3)



3 wire three-phase line, unbalanced load (ARON L1-L2)

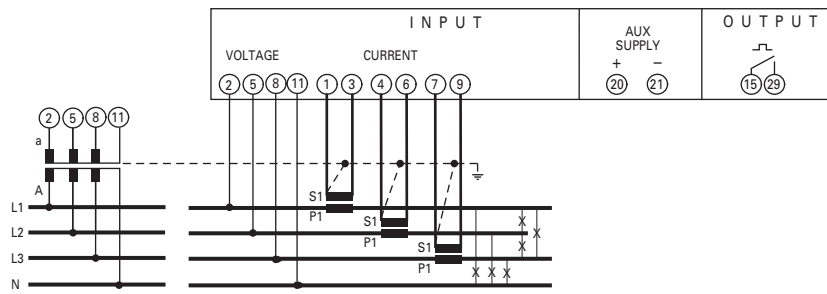


3 wire three-phase line, unbalanced load (ARON L1-L2)

Attention!

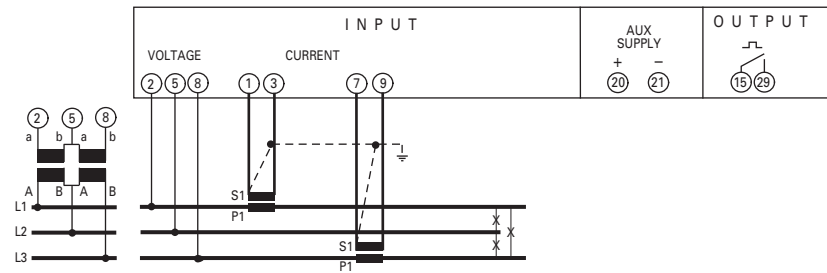
Do not ground the current transformer secondary windings

S.1000/129



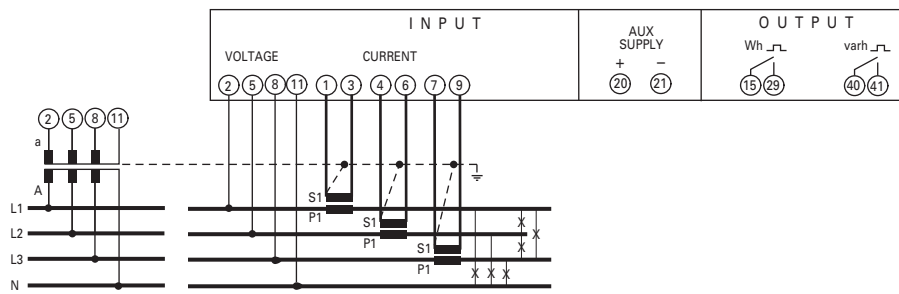
4 wire three-phase line, unbalanced load

S.1000/130



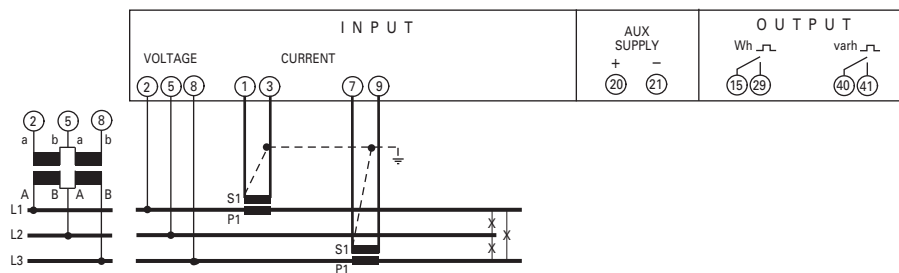
3 wire three-phase line, unbalanced load (ARON L1-L3)

S.1000/131



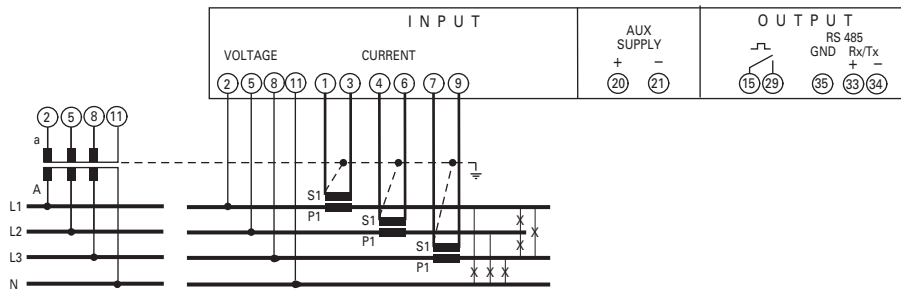
4 wire three-phase line, unbalanced load

S.1000/132



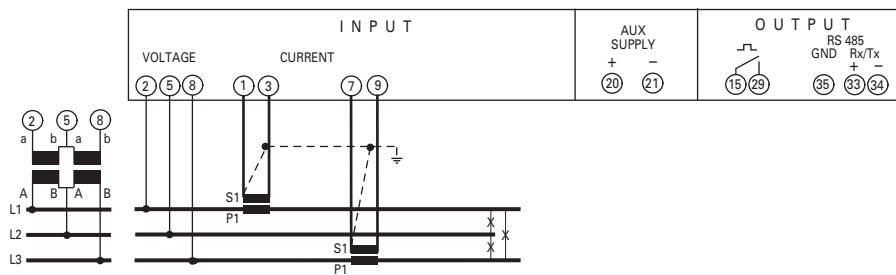
3 wire three-phase line, unbalanced load (ARON L1-L3)

S.1000/124



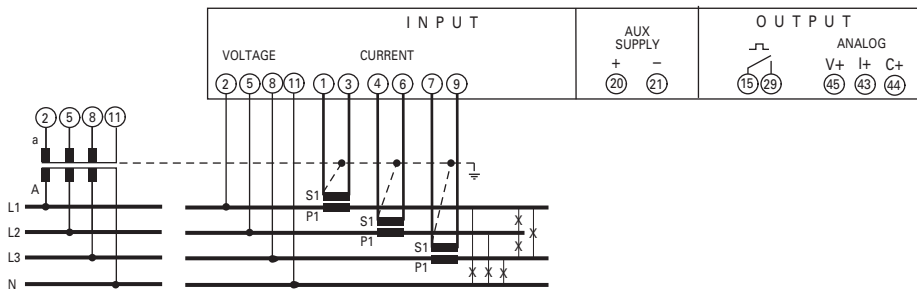
4 wire three-phase line, unbalanced load

S.1000/125



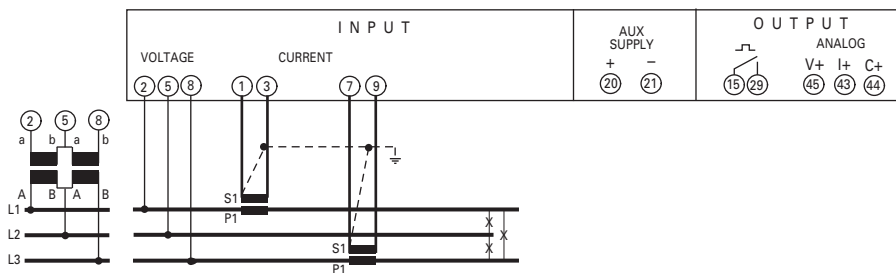
3 wire three-phase line, unbalanced load (ARON L1-L3)

S.1000/184



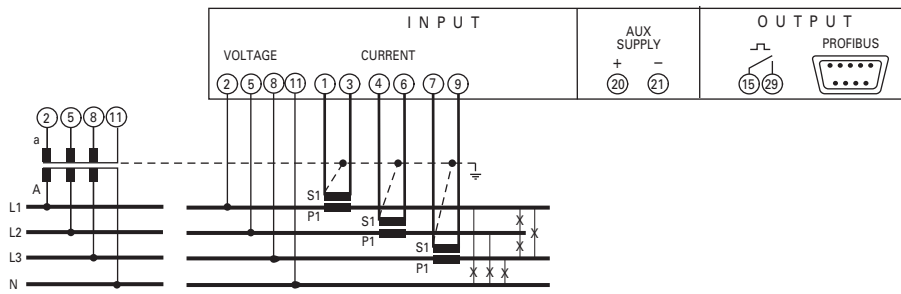
4 wire three-phase line, unbalanced load

S.1000/185



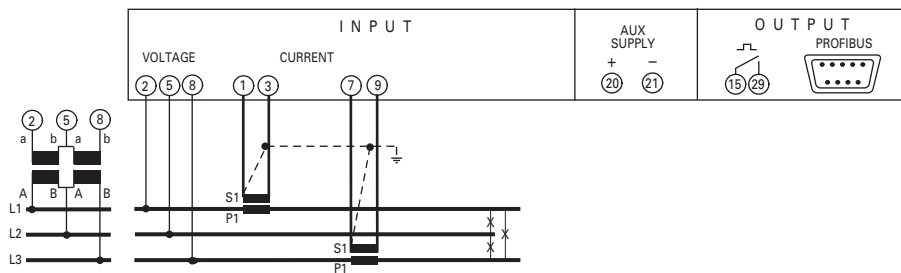
3 wire three-phase line, unbalanced load (ARON L1-L3)

S.1000/177



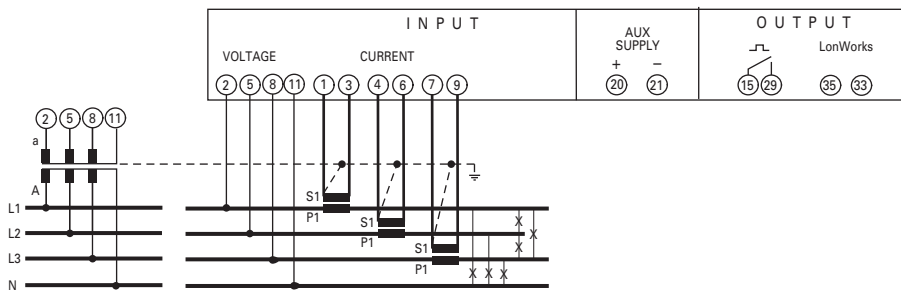
4 wire three-phase line, unbalanced load

S.1000/178



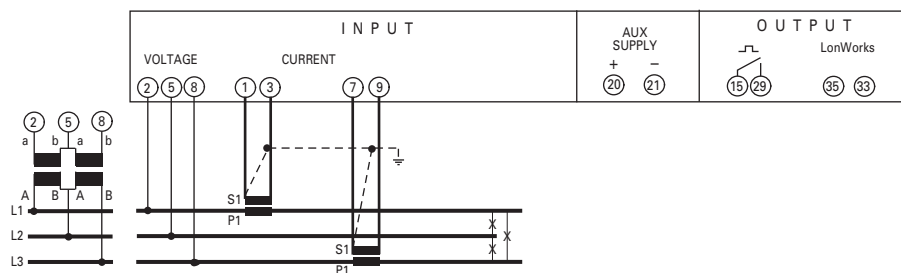
3 wire three-phase line, unbalanced load (ARON L1-L3)

S.1000/208



4 wire three-phase line, unbalanced load

S.1000/209

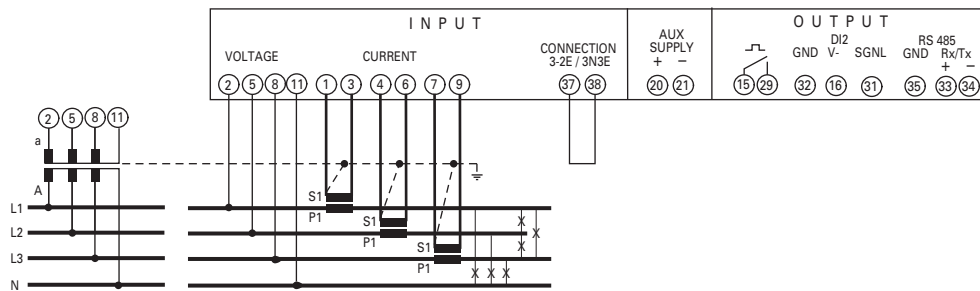


3 wire three-phase line, unbalanced load (ARON L1-L3)

Nemo LD

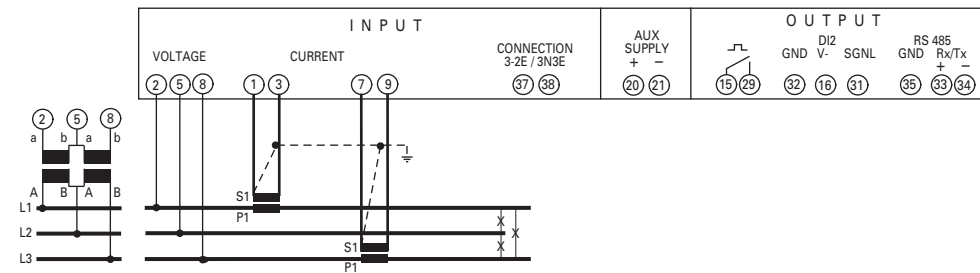
MF5AT41... / MF5AT42...

S.1000/103



4 wire three-phase line, unbalanced load

S.1000/102

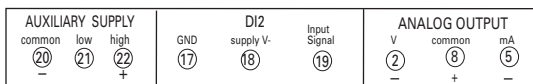


3 wire three-phase line, unbalanced load (ARON L1-L3)

Nemo IF

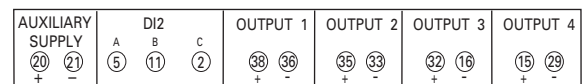
IFA0

S.1000/46



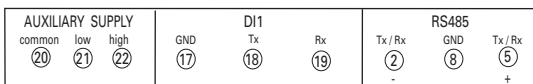
IFA2...

S.1000/117



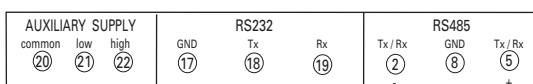
IFD0...

S.1000/47



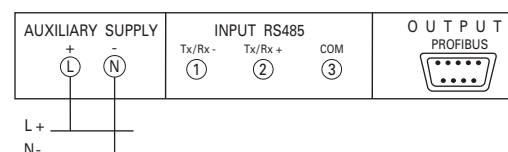
IFC0...

S.1000/92

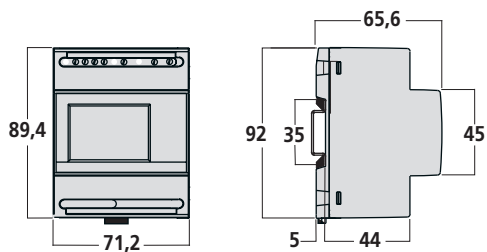


IFC1...

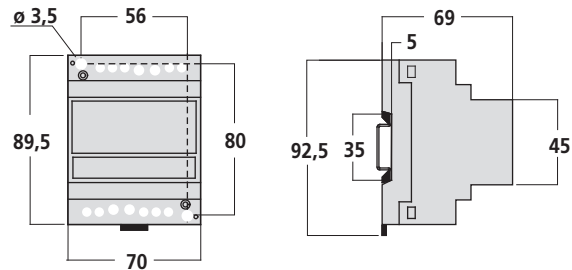
S.1000/189



Nemo D4-b / Nemo D4-L

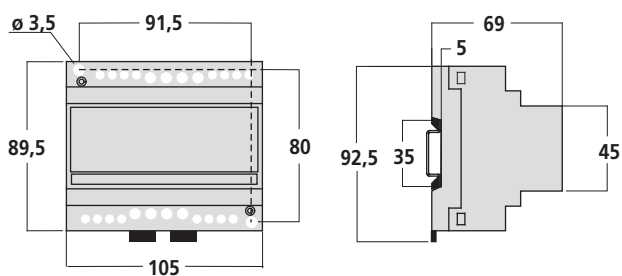


Nemo IF

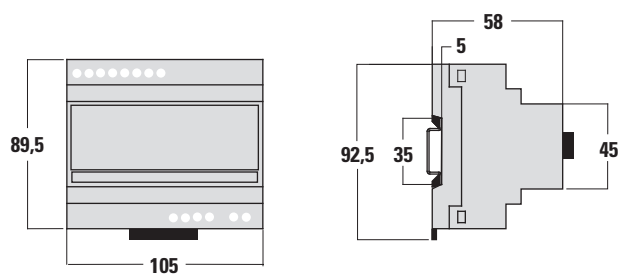


4 Module

Nemo D6-I / Nemo D6-S

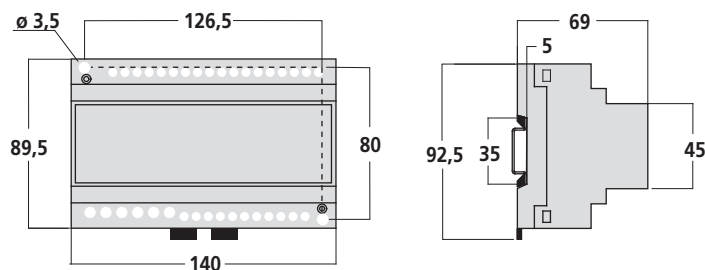


Nemo IF



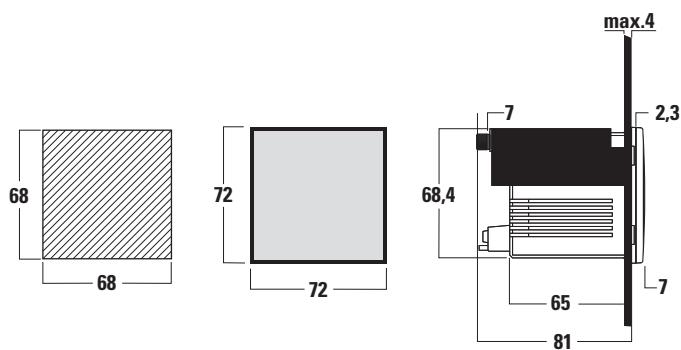
6 Module

Nemo D8 / Nemo IF



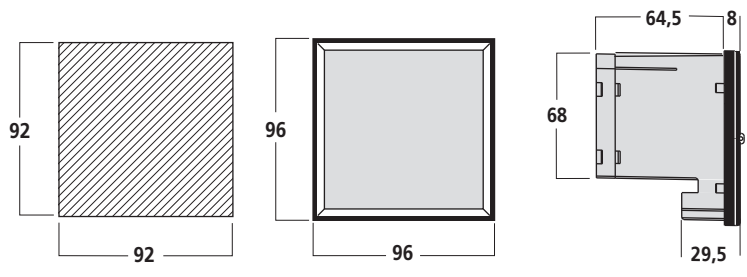
8 Module

Nemo 72-b / Nemo 72-L



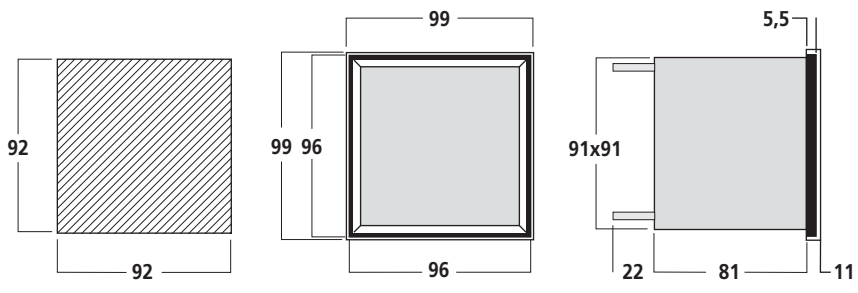
72x72 Flush mounting

Nemo 96-I / Nemo 96-S



Flush mounting 96 x 96

Nemo 96



Flush mounting 96 x 96

Nemo LD



Flush mounting 144 x 72